



CV3 SERIES

0 - 275 PSIG



CRYOGENIC VACUUM JACKETED SHUTOFF VALVES

Features

- Vacuum Jacketed (Insulated with Four Layers of Radiation Shielding)
- Bubble Tight Shutoff
- Redundant Packing Seals
- Compact Size
- High Efficiency
- Self Centering Plug
- Low Initial Cost
- Easy Inline Maintenance
- Butt Weld Ends

Applications

- Cryogenic Storage Tanks
- Cryogenic Transportation Trailers
- Cryogenic Vacuum Jacketed Transfer Systems (Point of Use Shutoff)

Options

- Cold Box Cuff
- Ported Bonnet (Overseat Purge)
- Pneumatic and Electric Actuators
- Positioners & Position Indicators
- Limit Switches
- Non-Jacketed

Technical Data

Operating Ranges

Temperature-452°F to +300°F
 (-269°C to +149°C)

Max. Operating Pressure 275 PSIG

Heat Leak4.5 BTU/Hr to
 20°K (1.3 watts)

Materials of Construction

All Major Structural Components are 300 Series Stainless Steel.

BonnetBrass/Nickel Plated

SeatKel-F

Packing & SealsTeflon®

GasketGlass Filled Teflon®

Tests

External LeakageMass spec. to
 1x10⁻⁹scc GHe/sec

Seat LeakageBubble Tight to
 150 PSIG

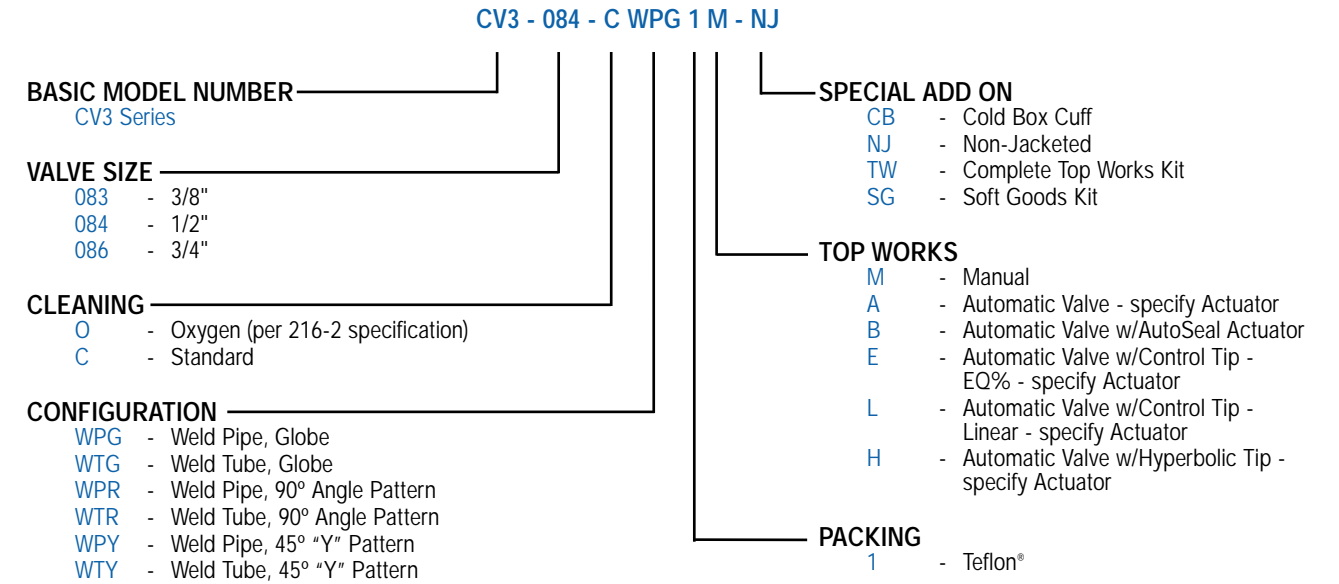
Proof Pressure300 PSIG

Valve Size
 1/2"

CV3 SERIES

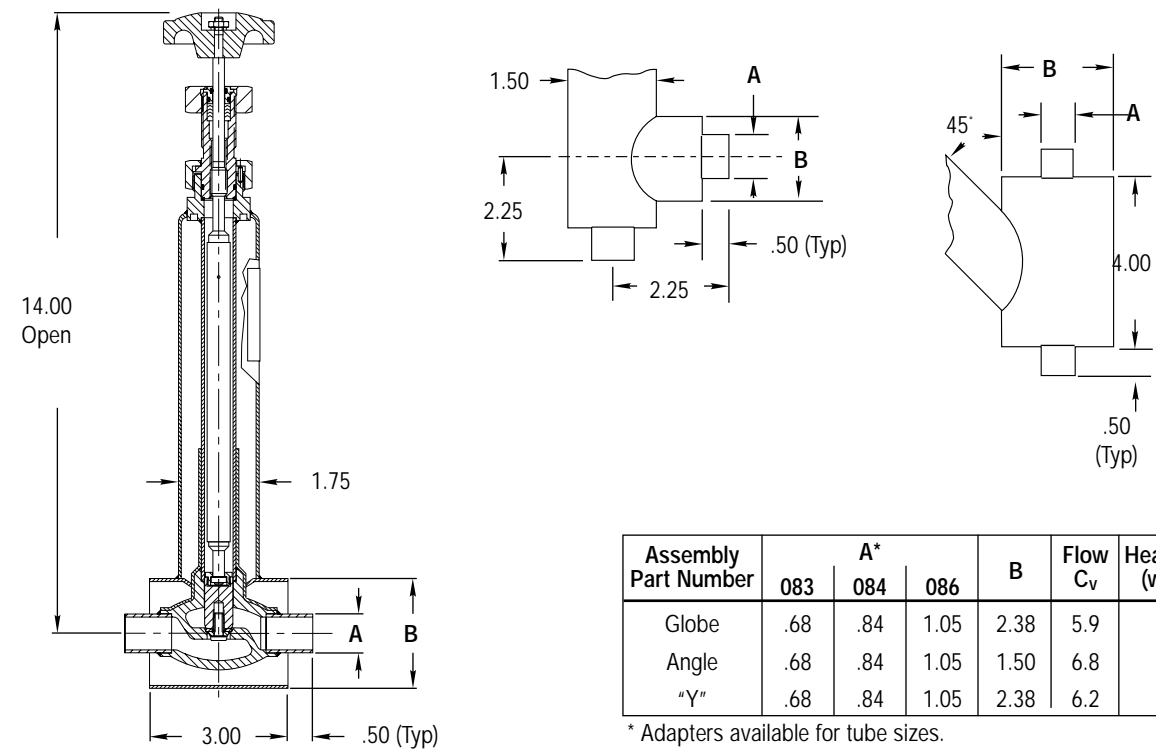
0 to 275 PSIG

How To Order



SOFT GOODS KIT includes:
 Packing
 Gaskets
 Seat
 Hermetic Seals

Dimensions & Performance Data



* Adapters available for tube sizes.

Valve supplied with quick opening plug unless otherwise specified.