



# EC4 SERIES

0 - 400 PSIG



## EXTENDED STEM CRYOGENIC SHUTOFF VALVES MANUAL OR AUTOMATIC

### Features

- All Stainless Steel Construction
- Bubble Tight Shutoff
- Redundant Packing Seals
- Non-galling Stem Threads
- Self Centering Plug Seal
- Quality Investment Cast Body for High Flow Values
- Easy Inline Maintenance
- Socket Weld Ends

### Applications

- Cryogenic Storage Tanks
- Cryogenic Transportation Trailers
- Cryogenic Vacuum Piping and Point-of-Use Shutoff

### Options

- Socket Weld Ends
- Special Ends on Request
- Globe Body or Right Angle Body
- Automatic Control Valve Option

The EC4 is a new, upgraded version of the EC2 valve. Most parts are interchangeable with the body assembly. Consult factory for details regarding the union bonnet nut size variations for 1/4" to 1" size.

### Technical Data

#### Operating Ranges

Temperature .....-456°F to +300°F  
-283°C to +149°C

Max. Operating Pressure 400 PSIG

#### Materials of Construction

All Major Structural Components are 300 Series Stainless Steel.

Bonnet .....Stainless Steel

Seat .....Kel-F

Packing .....Teflon® or Graphite

Redundant Seal .....Viton®

Gasket .....Glass Filled Teflon®

#### Tests

External Leakage .....Mass spec. to  
1x10<sup>-9</sup>scc GHe/sec

Seat Leakage .....Bubble Tight to 400 PSIG

Proof Pressure .....600 PSIG

#### Valve Size

1/4" to 2" (Standard)

3" and 4" Available on request

# EC4 SERIES

0 to 400 PSIG

## How To Order

### EC4 - 088 - C WPG 1 M - TW

**BASIC MODEL NUMBER** EC4 Series

**VALVE SIZE**

- 082 - 1/4"
- 084 - 1/2"
- 086 - 3/4"
- 088 - 1"
- 812 - 1 1/2"
- 816 - 2"

**CLEANING**

- O - Oxygen (per 216-2 specification)
- C - Standard

**CONFIGURATION**

- WPG - Pipe Size, Globe
- WPR - Pipe Size, 90° Angle Pattern

**SPECIAL ADD ON**

- TW - Complete Top Works Kit ONLY:
- SG - Soft Goods Kit ONLY:
  - Packing
  - Gasket
  - Seat
  - O-rings

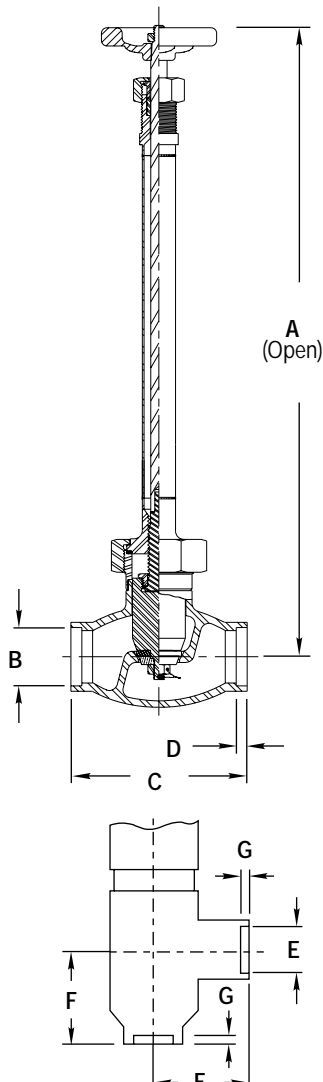
**TOP WORKS**

- M - Manual
- A - Automatic Valve without Actuator:
- B - Automatic Valve with AutoSeal
- E - Automatic Valve with AutoSeal and Control Tip - EQ%
- L - Automatic Valve with AutoSeal and Control Tip - Linear

**PACKING**

- 1 - Teflon®
- 6 - Graphite

## Dimensions



### Globe Pattern

	IPS Size	Assembly Part Number	A	B	C	D	C <sub>V</sub>	WTS. (Lbs.)
Union	1/4"	EC4-082-CWPG	14.5	.55	3.06	.25	2.5	2
Bonnet	1/2"	EC4-084-CWPG	14.5	.85	2.53	.25	5.9	5
(As Shown)	3/4"	EC4-086-CWPG	14.0	1.06	3.52	.25	8.0	7
	1"	EC4-088-CWPG	15.0	1.32	4.00	.25	14.0	10
Flanged	1 1/2"	EC4-812-CWPG	18.12	1.90	4.25	.25	34	18
Bonnet	2"	EC4-816-CWPG	21.25	2.38	5.00	.25	50	24
(Not Shown)								

### Angle Pattern

	IPS Size	Assembly Part Number	A	B	C	D	C <sub>V</sub>	WTS. (Lbs.)
Union	1/4"	EC4-082-CWPG	11.12	.55	1.50	.25	3.4	2
Bonnet	1/2"	EC4-084-CWPG	11.12	.85	1.50	.15	8.0	5
(As Shown)	3/4"	EC4-086-CWPG	12.25	1.06	1.50	.25	10.0	7
	1"	EC4-088-CWPG	13.50	1.32	1.87	.25	17.0	10
Flanged	1 1/2"	EC4-812-CWPG	17.0	1.91	2.12	.25	41	17
Bonnet	2"	EC4-816-CWPG	19.5	2.38	2.50	.25	60	23
(Not Shown)								

Available from factory are tube end configurations, OS & Y topworks and a complete line of automatic valves with pneumatic actuators. Consult factory for part numbers and dimensions.