

# PR3 SERIES

2 - 15 PSIG RELIEF



## VACUUM TIGHT PRESSURE RELIEF DISCS

### Features

- Vacuum Tight Seal
- Full 360° Pressure Outlet
- Low Pressure Relief
- Stainless Steel Construction
- Compact Design
- Adjustable Relief Option

### Applications

- Protection of Outer Wall for High Vacuum Containers
- Pressure Equalization for Volume Chambers
- Relief Valve for Vacuum Insulated Piping Systems
- Breather Valves for Storage Tank Vents

### Options

- Standard Relief Pressure 2 - 6 PSIG
- Available up to 15 PSIG ( $\pm 1$  PSI)
- Higher Pressures Available (Consult Factory)

### Technical Data

#### Operating Ranges

Temperature .....-20°F to +150°F;  
(-29°C to +66°C)

Relief Pressure .....2 to 15 PSIG  
(.14 to 1.04 BAR)

#### Materials of Construction

Body .....300 Series S/S  
or 6061 Aluminum

O-Ring .....Viton®

Poppet .....300 Series  
Stainless Steel

Spring .....300 Series  
Stainless Steel

Hardware .....300 Series  
Stainless Steel

#### Tests

Seat Leakage .....Mass spec. less than  
 $1 \times 10^{-9}$  scc GHe/sec  
(Exclusive of O-ring  
Permeability) at  
Ambient Temp.

#### Connection

Welded or Threaded

#### Valve Size

1/2" to 3"

# PR3 SERIES

2 to 15 PSIG RELIEF

## How To Order

PR3 - 084 - 5 T2 - HP3

### BASIC MODEL NUMBER

PR3 Series

### VALVE SIZE

084 - 1/2"  
 086 - 3/4"  
 088 - 1"  
 812 - 1-1/2"  
 816 - 2"  
 820 - 2-1/2"  
 824 - 3"

### CONSTRUCTION

5 - 300 Series Stainless Steel  
 1 - 6061 Aluminum

### CONFIGURATION

T2 - Threaded Connection (1/2" - 1")  
 F2 - Flanged Connection (1-1/2" - 2")  
 F3 - Flanged Connection (3")  
 W2 - Welded Connection (1/2" - 1")  
 W3 - Welded Connection (1-1/2" - 3")

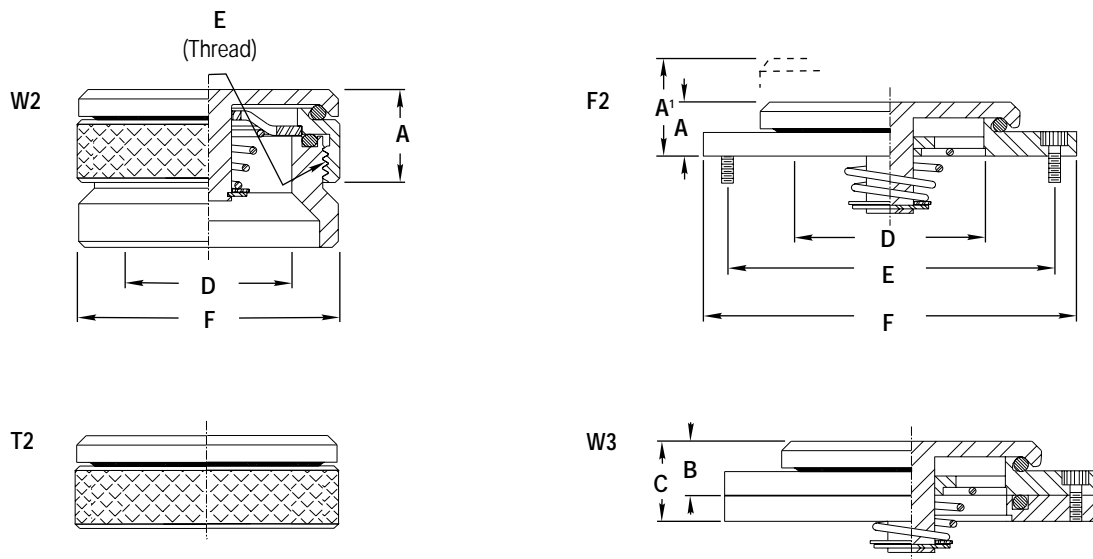
### RELIEF SET

Blank - 2-6 PSIG Standard

### Adjustable Relief Set Options:

HP3 - 3 PSIG  
 HP4 - 4 PSIG  
 HP5 - 5 PSIG  
 HP6 - 6 PSIG  
 HP7 - 7 PSIG  
 HP8 - 8 PSIG  
 HP9 - 9 PSIG  
 HP10 - 10 PSIG  
 HP11 - 11 PSIG  
 HP12 - 12 PSIG  
 HP13 - 13 PSIG  
 HP14 - 14 PSIG  
 HP15 - 15 PSIG

## Dimensions



Part No.	A	A'	B	C	D	E	F
PR3-084	.50	.75	.75	.88	.69	1.06.16	1.19
PR3-086	.50	.75	.63	1.13	.94	1.38.16	1.50
PR3-088	.63	.94	.75	1.13	1.19	1.63.16	1.75
PR3-812	.56	.75	.31	.88	1.63	2.38	2.75
PR3-816	.56	.88	.31	.88	2.13	2.94	3.25
PR3-820	.69	1.00	.44	1.13	2.69	3.50	4.00
PR3-824	1.13	1.25	.50	1.63	3.38	4.38	5.00