

CV3 SUPPLEMENT

Soft Goods Kit Installation

TABLE OF CONTENTS

INSTALLATION	1
ILLUSTRATION INDEX	
FIGURE 1 - TOPWORKS ASSEMBLY	2
FIGURE 2 - SEAT PLUG ARRANGEMENT	3

INSTALLATION

- 1) Isolate valve from system pressure and bleed off any excess pressure in the valve.

WARNING: Injury or death can occur due to failure to completely isolate valve from all sources of pressure before beginning disassembly. Do not proceed until valve has been completely isolated from process stream and vented to atmosphere.

- 2) Remove bonnet nut. (Item 2).
- 3) Carefully remove the entire top works assembly from valve body weldment.
- 4) To replace the seat disc, remove the nut (8) And seat holder (9). Slide off old Kel-F seat And replace with new. Replace seat holder And nut. Torque to 37 in-lbs.
 Note: Nut must be staked in three Places to ensure it remains during operation. Refer to Figure 2
- 5) Remove bonnet gasket (Item 14) and o-ring (13) and clean seal surface.
- 6) Inspect seat surface inside valve body for any scratches, marks or debris of any kind. If necessary, clean and reface to 32 rms. finish as required.
- 7) To remove packing, you must first remove the hand wheel nut (4) and hand wheel (5). Once removed, loosen packing nut (3)
- 8) Remove packing follower (10) and o-rings (11). You can now remove the packing (12).
- 8) Replace packing (12), packing follower (10) and packing nut (3). Tighten until no leakage is observed.
- 9) Replace bonnet gasket (14) and o-ring (13)
- 10) Slide top works assembly back into valve.
- 11) Replace bonnet nut (2), and tighten to 180 in-lbs.

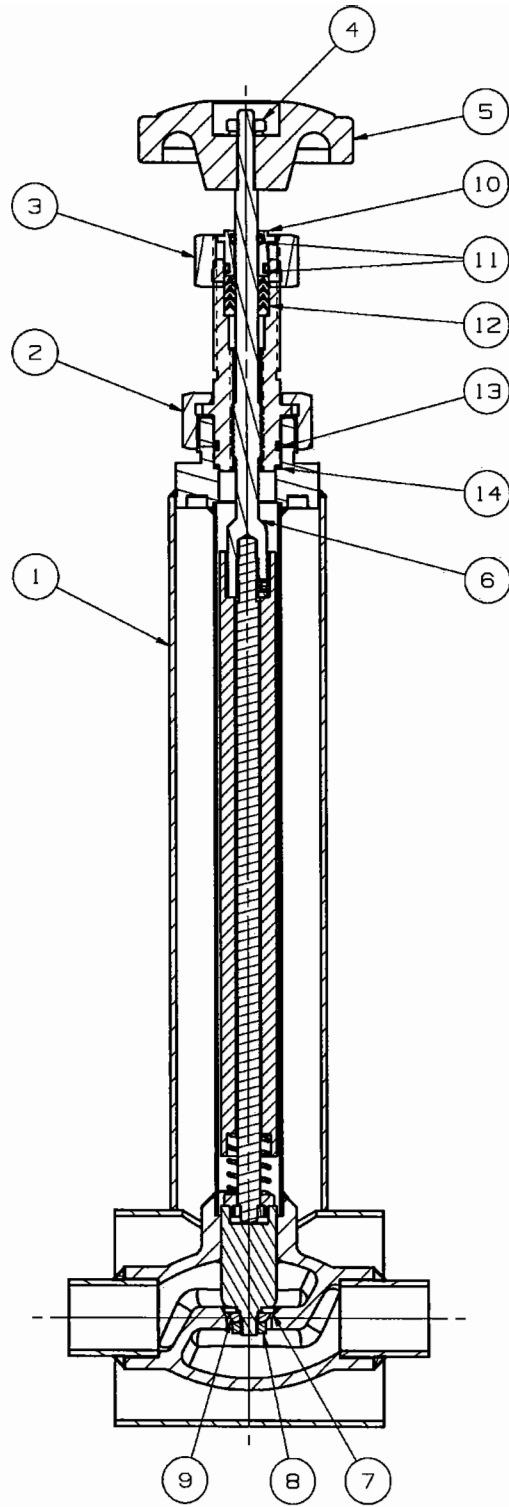


Figure 1 – General Layout

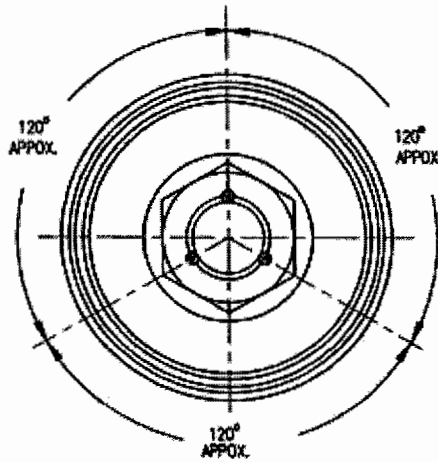


Figure 2 – Seat Plug Arrangement

It is solely the responsibility of the system designer and the user to select products and materials suitable for their specific application requirements and to ensure proper installation, operation, and maintenance of these products. Assistance shall be afforded with the selection of the materials based on the technical information supplied to CPC-Cryolab™; however, the system designer and user retain final responsibility. The designer should consider applicable Codes, material compatibility, product ratings and application details in the selection and application. Improper selection, application or use of the products described herein can cause personal injury or property damage. If the designer or user intends to use this product for an application or use other than originally specified, he must reconfirm that the selection is suitable for the new operating conditions. Life expectancy for this product defaults to the warranty period of the sales contract.

CPC-Cryolab
A CIRCOR CRYOGENICS COMPANY
12501 Telecom Drive, Tampa, FL 33637
Ph: (813) 978-1000 • Fax: (813) 977-3329
www.cpc-cryolab.com