

**VACUUM SEAL-OFF VALVES AND VALVE OPERATORS**

**SV9 SERIES**

RELIEVING WITH RETAINED PLUG



**Valve Size:**

1/4" to 1"



**APPLICATIONS**

- High Vacuum Tanks
- High Vacuum Dewars
- Low Pressure Gas Systems
- Vacuum Insulated Cryogenic Piping Systems
- Cold Box Vacuum Systems
- Infrared Optical Devices



**FEATURES**

- Vacuum Tight Seal
- Tamper Resistant
- Easy Access to Vacuum
- Functional & Reliable
- Full Flow Design
- Low Profile & Compact Design

**Testing:**

External Leakage ..... Mass spec. to  
1x10<sup>-9</sup>scc GHe/sec  
Seat Leakage ..... Bubble Tight to 150 PSIG  
Proof Pressure ..... 300 PSIG



**OPERATING RANGES**

Temperature..... -20° F to +150° F  
(-29°C to +66°C)  
Heat Leak ..... 3 to 9 PSIG



**TECHNICAL DATA**

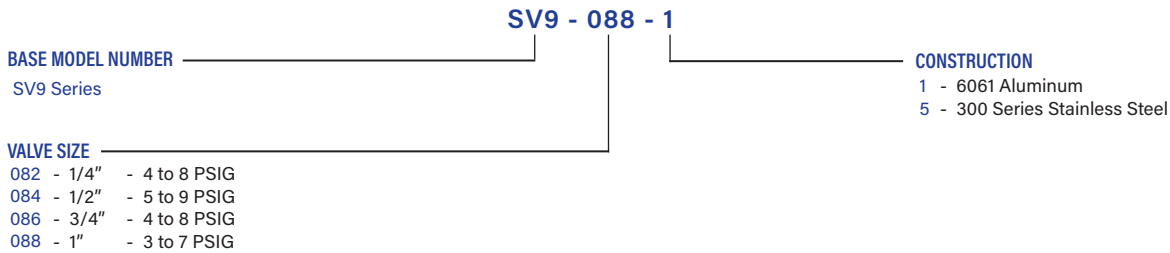
**Materials of Construction:**

Body ..... 300 Series S/S or  
6061 Aluminum  
O-rings ..... Viton®  
Plug ..... 300 Series S/S  
Cap ..... Plastic PVC  
Retainer ..... 300 Series S/S

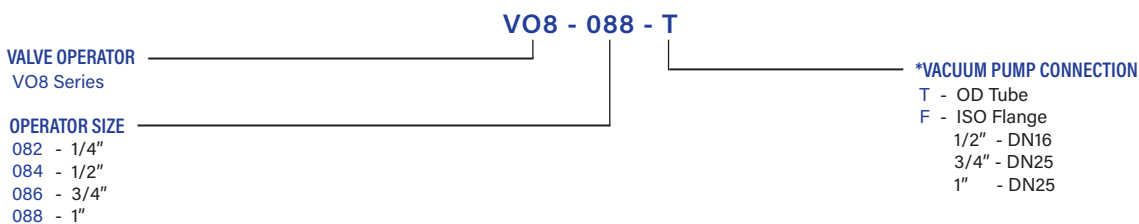
**Connection:**

Valve ..... Butt Weld  
Operator ..... ISO Flange or Tube

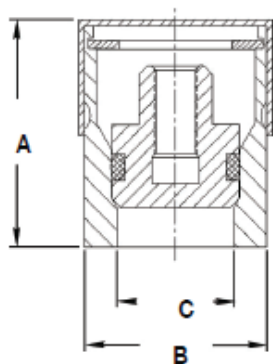
## ORDERING GUIDE



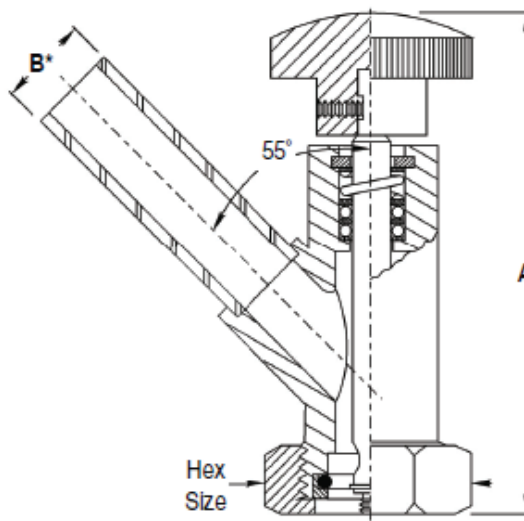
Valve Operators used in conjunction with valves during pumping operation:



## DIMENSIONS



1/4" & 1/2" sizes contain only one O-ring as shown above.  
3/4" & 1" sizes contain two O-rings.



SV8 SERIES VALVES DIMENSIONS

Part No.	A	B	C
SV9-082-	.59	.38	.19
SV9-084-	.76	.62	.40
SV9-086-	.96	.88	.65
SV9-088-	1.13	1.19	.84

VO8 SERIES OPERATORS STAINLESS STEEL DIMENSIONS

Part No.	A	B	Size
VO8-082-	3.2	.375	3/4"
VO8-084-	3.5	.625	1-3/16"
VO8-086-	5.0	.875	1-1/2"
VO8-088-	5.0	1.12	1-3/4"

\*Optional ISO Flange