

**VACUUM SEAL-OFF VALVES AND  
VALVE OPERATORS**

**SV8 SERIES**

3 to 9 PSIG



**Valve Size:**

1/4" to 1"



**APPLICATIONS**

- High Vacuum Tanks
- High Vacuum Dewars
- Low Pressure Gas Systems
- Vacuum Insulated Cryogenic Piping Systems
- Cold Box Vacuum Systems
- Infrared Optical Devices



**FEATURES**

- Vacuum Tight Seal
- Tamper Resistant
- Easy Access to Vacuum
- Functional & Reliable
- Full Flow Design
- Low Profile & Compact Design
- Non-Relieving Option

**Testing:**

Seat Leakage ..... Mass spec. less than  
1x10<sup>-9</sup>scc GHe/sec  
Bubble Tight to 150 PSIG  
300 PSIG



**OPERATING RANGES**

Temperature..... -20° F to +150° F  
(-29°C to +66°C)  
Relief Pressure ..... 3 to 9 PSIG



**TECHNICAL DATA**

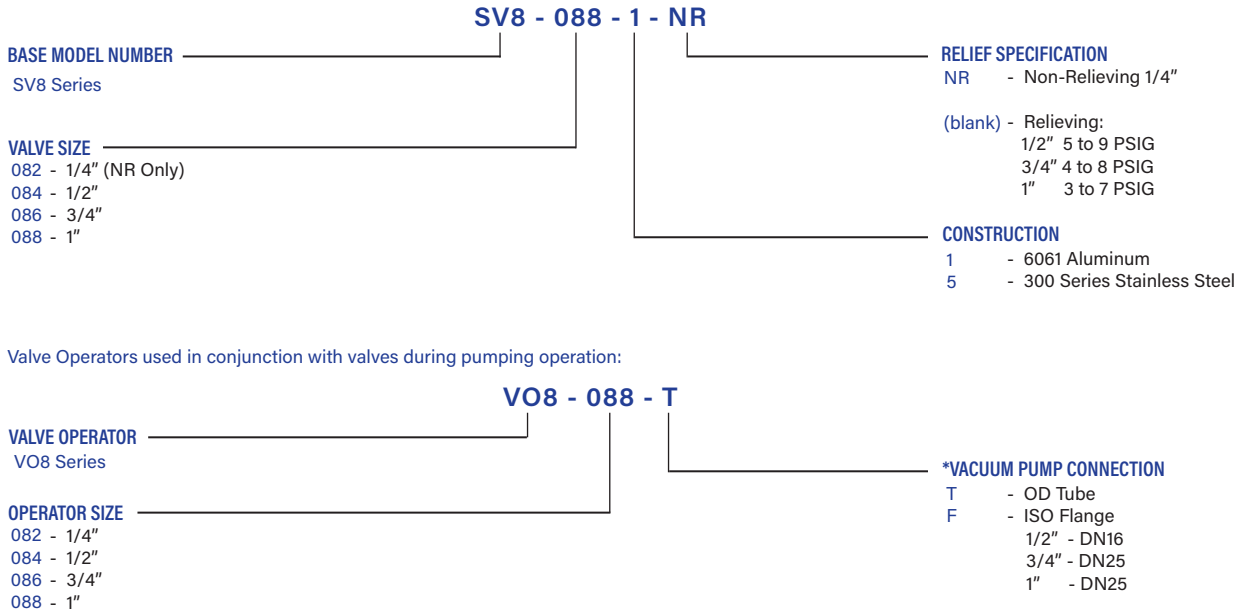
**Materials of Construction:**

Body ..... 300 Series S/S or  
6061 Aluminium  
O-rings ..... Viton®  
Plug ..... 300 Series S/S  
Cap ..... Plastic PVC

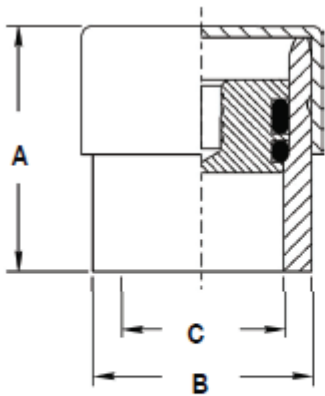
**Connection:**

Valve ..... Butt Weld  
Operator ..... ISO Flange or Tube

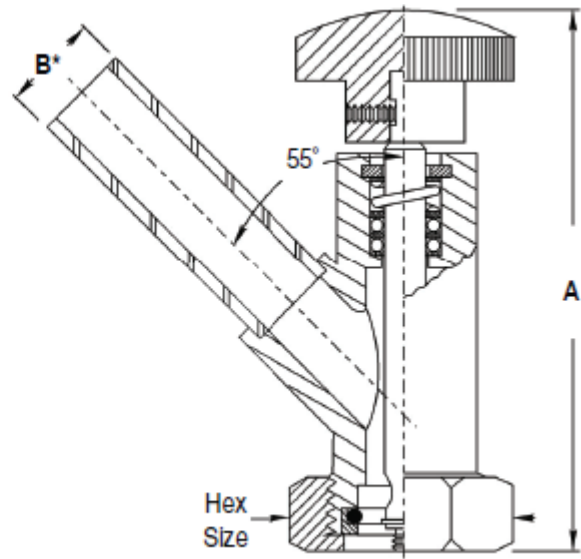
## ORDERING GUIDE



## DIMENSIONS



3/4" & 1" sizes contain two O-rings as shown above.  
1/4" & 1/2" sizes contain only one O-ring.



SV8 SERIES VALVES DIMENSIONS

Part No.	A	B	C
SV8-082-	.59	.38	.28
SV8-084-	.81	.62	.46
SV8-086-	.96	.88	.69
SV8-088-	1.50	1.19	.90

VO8 SERIES OPERATORS STAINLESS STEEL DIMENSIONS

Part No.	A	B	Size
VO8-082-	3.2	.375	3/4"
VO8-084-	3.5	.625	1-3/16"
VO8-086-	5.0	.875	1-1/2"
VO8-088-	5.0	1.12	1-3/4"

\*Optional ISO Flange