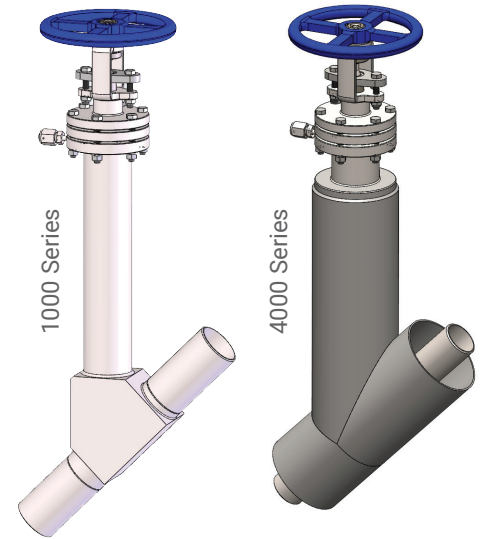


CRYOGENIC & COLD GASEOUS "Y" STYLE VALVES 1000/4000 SERIES

0-300 PSIG



APPLICATIONS

- Vaporizer Valve • V&J Pipping system
- Point of use Valve • Cold Box Valve
- Tank Fill Valve / Withdrawal Valve
- Trailer Valve / Manifold Systems

OPTIONS

- Cold Box Cuff • Special extended length for helium service
- Pneumatic and Electric Actuators • Limit Switches
- Positioners & Position Indicators • Linear & Equal % Flow Plugs
- Ported Bonnet (Over-seat Purge) • Higher rated working pressures



FEATURES

- Vacuum jacketed (4000 Series)
- Non-jacketed (1000 Series)
- Bellow Seal Manual
- Redundant packing seals
- Axially bolted bonnet for high seat loading
- Low heat leak extension
- Self centering plug seal
- Quality investment cast body for high flow values
- Easy in-line maintenance
- Butt weld ends



TECHNICAL DATA

Operating Ranges:

Temperature..... -425° F to +150° F
(-254° C to +65° C)

Max. Operating Pressure.....300 PSIG

Materials of Construction:

Top Works & Upper Stem...316L Stainless Steel (1000 series)
Nickel Plated Brass (4000 series)

Body Seat.....Kel-F

Wetted Surfaces.....316L Stainless Steel

Packing.....Graphite

Tests:

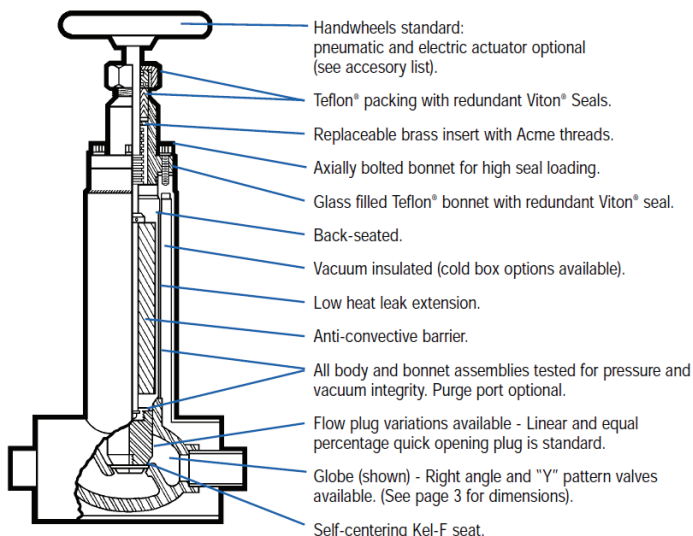
External Leakage.....Helium Mass Spectrometer
to 1x10⁻⁹ scc GHe/sec

Seat Leakage.....Bubble tight
to 150 PSIG

Proof Pressure.....450 PSIG

Valve Size: 1/2" to 2" Pipe

3/4" to 1-1/2" Tube ODT



1000/4000 SERIES

ORDERING GUIDE

CV8 - 088 - C WPG 1 M - NJ

BASIC MODEL NUMBER

CV8 Series

VALVE SIZE

084 - 1/2"
 086 - 3/4"
 088 - 1"
 812 - 1-1/2"
 816 - 2"
 824 - 3"
 832 - 4"

CLEANING

O - Oxygen (per 216-2 specification)
 C - Standard

CONFIGURATION

WPG - Pipe Size, Globe
 WTG - Tube Size, Globe
 WPY - Pipe Size, 45° "Y" Pattern
 WTY - Tube Size, 45° "Y" Pattern
 WPR - Pipe Size, 90° Angle Pattern
 WTR - Tube Size, 90° Angle Pattern

SPECIAL ADD ON

NJ - Non-Jacketed
 CB - Cold Box Cuff
 TW - Complete Top Works Kit
 SG - Soft Goods Kit:
 Packing
 Gasket
 Seat
 O-rings

TOP WORKS

M - Manual
 A - Automatic Valve without Actua
 B - Automatic Valve with AutoSeal
 E - Automatic Valve with AutoSeal
 and Control Tip - EQ%
 L - Automatic Valve with AutoSeal
 and Control Tip - Linear

PACKING

1 - Teflon®
 6 - Graphite



DIMENSIONS

Globe Pattern

Size	Assembly Part No.	A	B	C	D	E	F
1/2" Tube	CV8-084-CWTG	16.5	2.88	.50	3.88	1.0	2.38
1/2" Pipe	CV8-084-CWPG	16.5	2.88	.84	3.88	1.0	2.38
3/4" Tube	CV8-086-CWTG	16.5	2.88	.75	3.88	1.0	2.38
3/4" Pipe	CV8-086-CWPG	16.5	2.88	1.05	3.88	1.0	2.38
1" Tube	CV8-088-CWTG	16.5	3.50	1.00	5.00	1.0	2.38
1" Pipe	CV8-088-CWPG	16.5	3.50	1.32	5.00	1.0	2.38
1 1/2" Tube	CV8-812-CWTG	19.5	4.00	1.50	6.00	1.0	3.5
1 1/2" Pipe	CV8-812-CWPG	19.5	4.00	1.90	6.00	1.0	3.5
2" Tube	CV8-816-CWTG	22.5	4.50	2.00	6.00	1.0	4.0
2" Pipe	CV8-816-CWPG	22.5	4.50	2.38	6.00	1.0	4.0
3" Pipe	CV8-824-CWPG	28.0	8.62	3.50	12.00	1.0	5.5
4" Pipe	CV8-832-CWPG	36.0	10.75	4.50	14.00	1.0	8.62

