

# 2001 Series

0 - 400 PSIG



## CRYOGENIC BAR STOCK BODY BELLOW SEAL VALVES MANUAL OR AUTOMATIC

### Features

- Simple Conversion – The AutoSeal Actuator, for automatic operation, and the Unique Hand Wheel, for manual operation, are Easily Interchangeable
- Electro-polished Internals with All Orbital Butt Welded Design: Body, Bonnet, Flange and Nipples
- Compact Design & Reliability for an Economical Price
- Vacuum Jacketed or Non-Jacketed Extended Bonnet
- Top Entry Flanged Bonnet with Redundant Seals
- Multi-Ply Bellows are Cryogenic Tested & Proven

### Applications

- Semiconductor & Electronic Grade High Purity Gas Lines
- Chemical, Pharmaceutical and Aerospace Ground Support
- Vacuum Jacketed and Insulated Piping System
- Cryogenic Storage Tanks and Transports
- Wherever Leak Tight Valves, Compact Design, Quality and Performance are Required

### Options

- Flow Tips and Instrumentation Accessories for Actuator



**UNIQUE DESIGN** offers quick and easy change for Manual or Automatic operation without voiding the system's integrity or replacing operating parts. Innovation for the 21st Century.

### Technical Data

#### Operating Ranges

Temperatures .....-456°F to +300°F  
-271.1°C to +148.9°C

Operating Pressures up to 400 PSIG

#### Materials of Construction

All Major Structural and Internal Components are 300 Series Stainless Steel

Seat .....Kel-F  
Gasket .....Teflon® and Viton®  
Seals.....Viton®  
Actuator: .....Pressed Steel Casing & Ductile Iron Yoke

#### Tests

External Leakage .....Mass spec. to  
1x10<sup>-9</sup>scc GHe/sec  
Seat Leakage .....Bubble Tight 150 PSIG  
in Liquid Nitrogen with  
GHe  
Proof Pressure .....440 PSIG

#### Valve Sizes

1/2" ODT Standard  
3/4" ODT available on request

# 2001 SERIES

0 to 400 PSIG

## How To Order

2001 - 04 - U E GT M - VJ

**BASIC MODEL NUMBER** \_\_\_\_\_

2001 Series Bellow Seal

**VALVE SIZE** \_\_\_\_\_

04 - 1/2"

**CLEANING** \_\_\_\_\_

- U - UHP Cleaned
- O - Oxygen (per 216-2 specification)
- C - Standard

**INTERNAL FINISH** \_\_\_\_\_

- E - Electro-Polished, UHP Cleaned
- S - Mill Finish

**BODY CONFIGURATION** \_\_\_\_\_

GT - Globe Pattern, Tube

**SPECIAL ADD ON\***

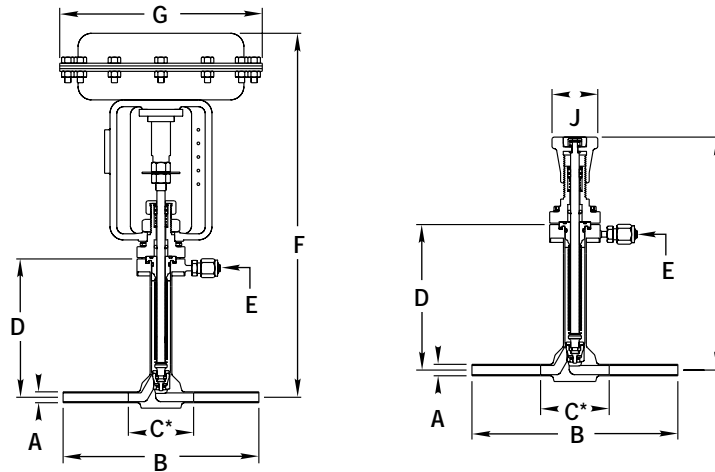
- CB - Cold Box Cuff
- VJ - Vacuum Jacketed
- Blank - Non-Vacuum Jacketed
- TW - Complete Top Works Kit with Stem
- SG - Soft Goods Kit: Packing Gasket Seat

**TOP WORKS**

- M - Manual Valve
- A - Automatic Valve without Actuator
- B - Automatic Valve with AutoSeal
- E - Automatic Valve with AutoSeal and Control Tip - EQ%
- L - Automatic Valve with AutoSeal and Control Tip - Linear

\* Standard configuration is non-jacketed.

## Dimensions & Specifications



**AUTOMATIC**

Size	A	B	C*	D	E**	F	G	C <sub>V</sub>
1/2"	1/2" ODT	9.0	3.0	6.36	1/4 VCR	16.75	9.31	2.5

**MANUAL**

Size	A	B	C*	D	E**	F	J	C <sub>V</sub>
1/2"	1/2" ODT	9.0	3.0	6.36	1/4 VCR	10.44	2.0	2.5

\*Available without nipples upon request.

\*\*Available with 1/2" VCR end connections.

For actuator accessories and instrumentation, see AutoSeal Actuator.

Additional sizes available, please consult your Distributor, Representative or our factory for information.