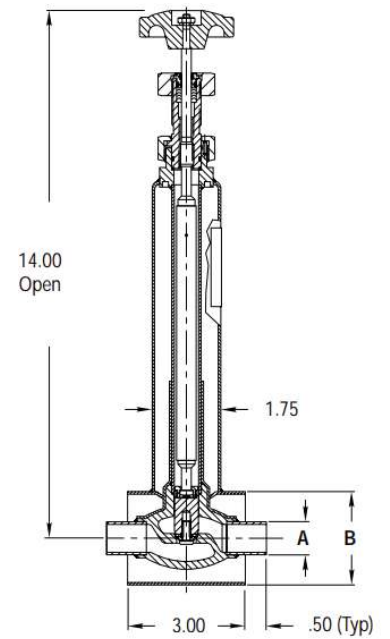


CRYOGENIC VACUUM JACKETED SHUTOFF VALVES CV3 SERIES

0-275 PSIG



TECHNICAL DATA

Operating Ranges:

Temperature..... -452° F to +300° F
(-269° C to +149° C)
Max. Operating Pressure 275 PSIG
Heat Leak..... 4.5 BTU/Hr. to 20°K
(1.3 watts)

Materials of Construction:

Major Components..... 300 Series Stainless Steel
Bonnet..... Brass/Nickel Plated
Seat..... Kel-F
Packing & Seals..... PTFE
Gasket..... Glass Filled PTFE

Tests:

External Leakage..... Mass spec. to
1x10⁻⁹scc GHe/sec
Seat Leakage..... Bubble tight
to 150 PSIG
Proof Pressure..... 300 PSIG

Valve Size: 1/2"

FEATURES

- Vacuum Jacketed (insulated with four layers radiation shielding)
- Bubble tight shutoff
- Redundant packing seals
- Compact size
- High efficiency
- Self centering plug
- Low initial cost
- Easy inline maintenance
- Butt weld ends

APPLICATIONS

- Cryogenic Storage Tanks
- Cryogenic Transportation Trailers
- Cryogenic Vacuum Jacketed Transfer Systems (Point of use shutoff)

OPTIONS

- Cold Box Cuff • Ported Bonnet (Overseat Purge)
- Pneumatic and Electric Actuators • Limit Switches
- Positioners & Position Indicators • Non-Jacketed

ORDERING GUIDE

CV3 - 084 - C WPG 1 M - NJ

BASIC MODEL NUMBER

CV3 Series

VALVE SIZE

083 - 3/8"
084 - 1/2"
086 - 3/4"

CLEANING

O - Oxygen (per 216-2 specification)
C - Standard

CONFIGURATION

WPG - Weld Pipe, Globe
WTG - Weld Tube, Globe
WPR - Weld Pipe, 90° Angle Pattern
WTR - Weld Tube, 90° Angle Pattern
WPY - Weld Pipe, 45° *Y* Pattern
WTY - Weld Tube, 45° *Y* Pattern

SPECIAL ADD ON

CB - Cold Box Cuff
NJ - Non-Jacketed
TW - Complete Top Works Kit
SG - Soft Goods Kit

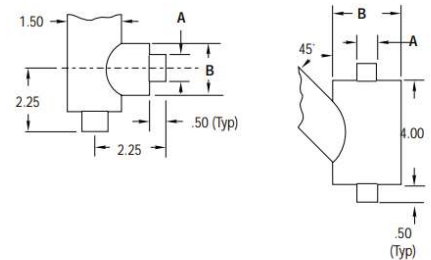
TOP WORKS

M - Manual
A - Automatic Valve - specify Actuator
B - Automatic Valve w/AutoSeal Actuator
E - Automatic Valve w/Control Tip - EQ% - specify Actuator
L - Automatic Valve w/Control Tip - Linear - specify Actuator
H - Automatic Valve w/Hyperbolic Tip - specify Actuator

PACKING

1 - Teflon*

SOFT GOODS KIT includes:
Packing
Gaskets
Seals
Hermetic Seals



Assembly Part Number	083	084	086	B	Flow C _v	Heat Leak (watts)
Globe	.68	.84	1.05	2.38	5.9	1.3
Angle	.68	.84	1.05	1.50	6.8	1.3
Y	.68	.84	1.05	2.38	6.2	1.3

* Adapters available for tube sizes.