

CV9 SERIES

0 - 200 PSIG



MINI-CRYOGENIC VACUUM JACKETED VALVES

Features

- Vacuum Jacketed (Insulated with Four Layers of Radiation Shielding)
- Bubble Tight Shutoff
- High Thermal Efficiency
- Compact Size
- Economical
- Convuluted Bellows Stem
- Dual O-Ring Spring Loaded Packing Assembly
- Non-galling Brass Metering Handle
- Easy Inline Maintenance
- Socket Weld Ends
- Dynamic Loaded Packing

Applications

- Helium Siphons
- Point of Use Valve
- Laboratory Usage

Options

- Cold Box Cuff
- Pneumatic Actuators
- Positioners
- Linear & Equal % Flow Plugs



Technical Data

Operating Ranges

Temperature-456°F to +150°F
-283°C to +66°C

Max. Operating Pressure 200 PSIG

Heat Leak2.5 BTU/Hr to
20°K (.73 watts)

Materials of Construction

All Major Structural Components are 300 Series Stainless Steel.

PackingViton® O-Rings

Seat SealKel-F

StemStainless Steel Bellows

Tests

External LeakageMass spec. to
1x10⁻⁹scc GHe/sec

Seat LeakageBubble Tight to 150 PSIG

Proof Pressure225 PSIG

Valve Size

1/2" Standard

1/4" & 3/8" Optional with adapters

CV9 SERIES

0 to 200 PSIG

How To Order

CV9 - 084 - C WTR M- NJ

CRYOGENIC VALVE
CV9 Series

VALVE SIZE
084 - 1/2"

CLEANING
O - Oxygen (per 216-2 specification)
C - Standard

CONFIGURATION
WTR - Tube Size, 90° Angle Pattern
WTG - Tube Size, Globe
WTY - Tube Size, Y Pattern (Bar Stock Body, 1/4" tube only)

SPECIAL ADD ONS

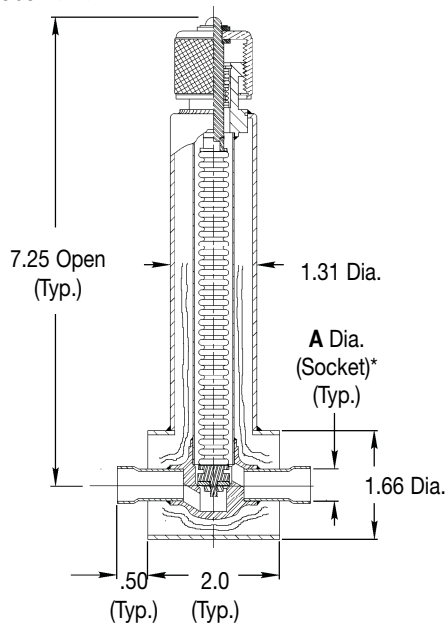
- NJ - Non-Jacketed
- CB - Cold Box Cuff
- TW - Top Works Kit Only with Stem and Seals

TOP WORKS

- M - Manual
- A - Automatic Valve without Actuator
- B - Automatic Valve with AutoSeal
- E - Automatic Valve with AutoSeal and Control Tip - EQ%
- L - Automatic Valve with AutoSeal and Control Tip - Linear

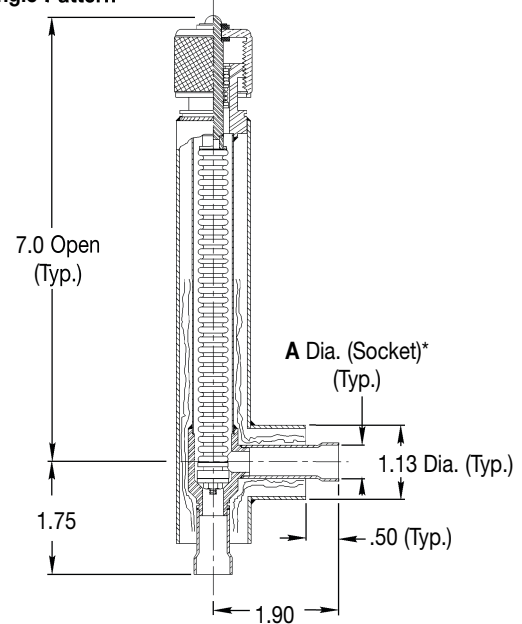
Dimensions & Characteristics

Globe Pattern



Tube Size	Wt.	C _v	A Dia. (Socket)
1/4"	12 oz.	.7	.255*
3/8"	12 oz.	1.8	.380*
1/2"	12 oz.	2.3	.505

Angle Pattern



Tube Size	Wt.	C _v	A Dia. (Socket)
1/4"	12 oz.	.7	.255*
3/8"	12 oz.	1.6	.380*
1/2"	12 oz.	1.6	.505

* Adapters supplied for 1/4" & 3/8" sizes.