

SV7 SERIES

2 - 6 PSIG



VACUUM SEAL-OFF VALVES AND VALVE OPERATORS

Features

- Vacuum Tight Seal-Off
- Easy Access to Vacuum
- High Capacity Flow
- Low Profile

Applications

- High Vacuum Tanks
- High Vacuum Dewars
- Low Pressure Gas Systems
- Vacuum Insulated Cryogenic Piping Systems
- Cold Box Vacuum Systems

Technical Data

Operating Ranges

Temperature-20°F to +150°F;
-29°C to +66°C

Relief Pressure2 to 6 PSIG

Materials of Construction

Body300 Series S/S or
6061 Aluminum

Spring300 Series S/S

Retainer300 Series S/S

O-RingViton®

CapPlastic PVC

Poppet300 Series
Stainless Steel

Tests

Seat LeakageMass spec. less
than 1×10^{-9} scc GHe/sec
(Exclusive of O-ring
Permeability) at
Ambient Temp.

Connection

ValveButt Weld

OperatorISO Flange or Tube

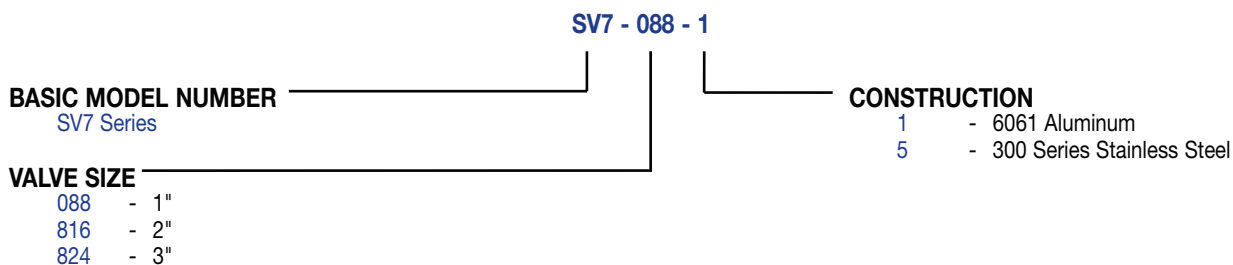
Valve Size

1" to 3"

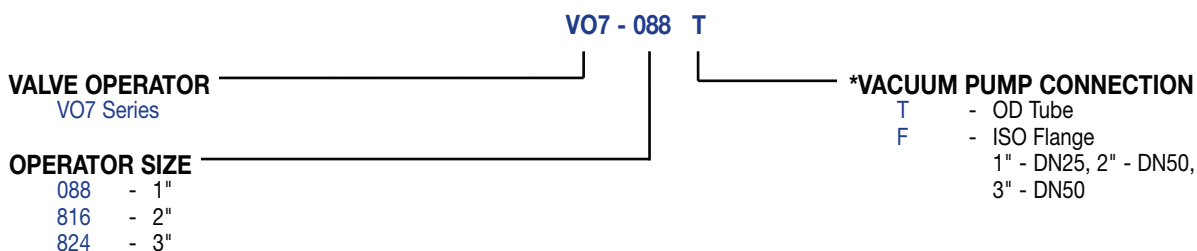
SV7 SERIES

2 to 6 PSIG

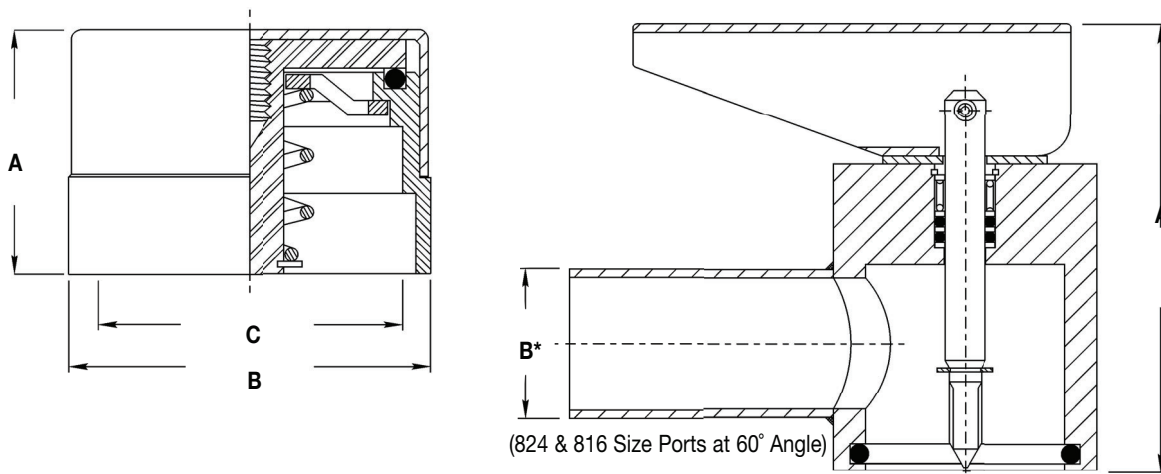
How To Order



Valve Operators used in conjunction with valves during pumping operation:



Dimensions



SV7 SERIES VALVES DIMENSIONS

| Part No. | A | B | C |
|----------|------|------|------|
| SV7-088- | 1.13 | 1.63 | 1.13 |
| SV7-816- | 2.25 | 2.50 | 1.80 |
| SV7-824- | 3.12 | 3.12 | 2.75 |

**VO7 SERIES OPERATORS
STAINLESS STEEL DIMENSIONS**

| Part No. | A | B* |
|----------|------|------|
| VO7-088- | 3.38 | 1.13 |
| VO7-816- | 5.00 | 2.25 |
| VO7-824- | 6.00 | 3.00 |

*Optional ISO Flange