

SV1 SERIES

NON RELIEVING



VACUUM SEAL-OFF VALVES AND VALVE OPERATORS

Features

- Vacuum Tight Seal
- Tamper Resistant
- Easy Access to Vacuum
- Functional & Reliable
- Full Flow Design
- Low Profile & Compact Design

Applications

- High Vacuum Tanks
- High Vacuum Dewars
- Low Pressure Gas Systems
- Vacuum Insulated Cryogenic Piping Systems
- Cold Box Vacuum Systems

Tests

Seat Leakage Mass spec. less than
1x10⁻⁹ scc GHe/sec
(Exclusive of O-ring
Permeability) at
Ambient Temp.

Connection

Valve Butt Weld
Operator ISO Flange or Tube

Valve Size

1/4" to 1"



Technical Data

Operating Ranges

Temperature -20°F to +150°F;
-29°C to +66°C

Maximum Working Pressure.....25 PSIG

Materials of Construction

Body 300 Series S/S
or 6061 Aluminum

Plug Brass (1" valve plug
300 Series S/S)

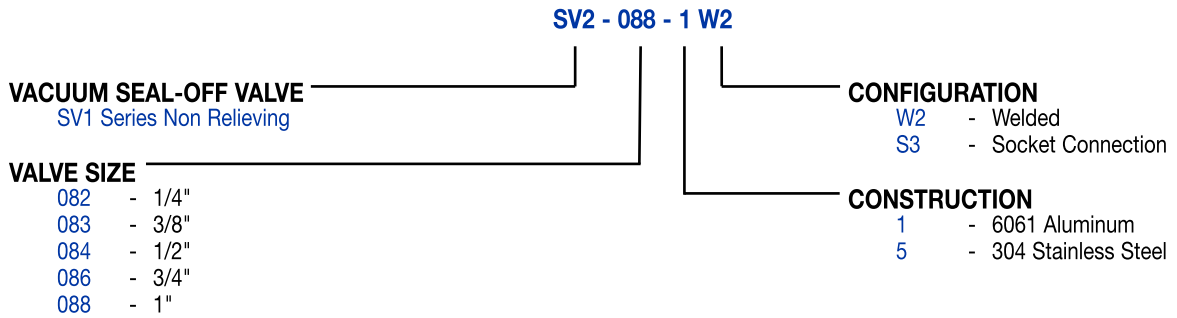
Disc 300 Series S/S

O-Ring Viton®

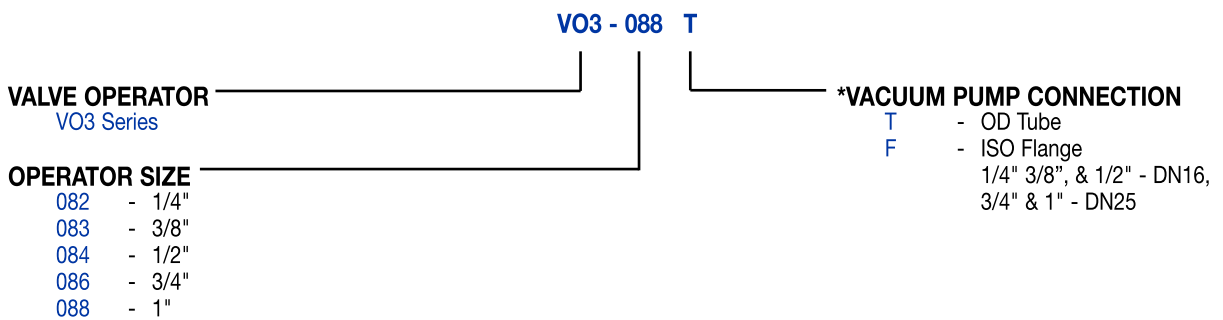
Cap Plastic - 1/4" & 3/8"
300 Series S/S - 1/2",
3/4" & 1"

SV1 SERIES NON RELIEVING

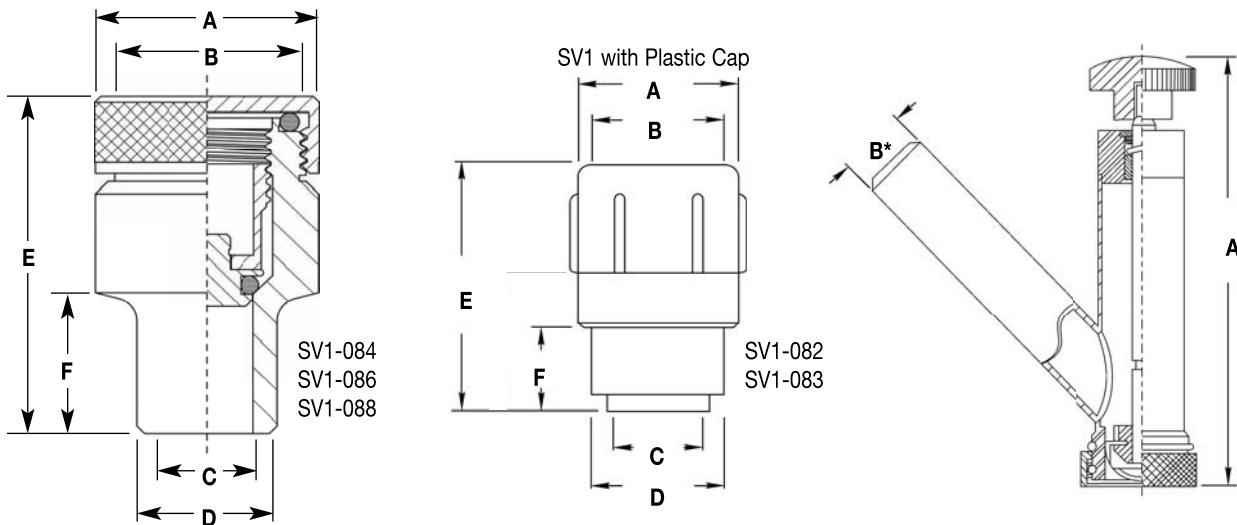
How To Order



Valve Operators used in conjunction with valves during pumping operation:



Dimensions



SV1 SERIES VALVE DIMENSIONS

Part No.	A	B	C	D	E	F
SV1-082-	0.75	0.44	0.31	0.63	1.30	0.38
SV1-083-	1.00	0.75	0.50	0.88	1.50	0.63
SV1-084-	1.19	1.06	0.50	0.75	1.82	0.75
SV1-086-	1.19	1.38	0.75	1.00	2.00	0.75
SV1-088-	1.75	1.63	1.00	1.25	2.50	0.94

**VO3 SERIES OPERATORS
STAINLESS STEEL DIMENSIONS**

Part No.	A	B*
VO3-082-	4.38	0.625
VO3-083-	4.38	0.625
VO3-084-	4.38	0.625
VO3-086-	4.63	0.875
VO3-088-	5.00	1.125

*Optional ISO Flange